

## CMU STEPPER MOTOR 57MM NEMA 23 (23HS5628)

### Features:

Step angle accuracy: + - 5%(full step,not load)

Resistance accuracy: + - 10%

Inductance accuracy: + - 20%

Temperature rise: 80deg Max(rated current,2 phase on)

Ambient temperature -----20deg ~+50deg

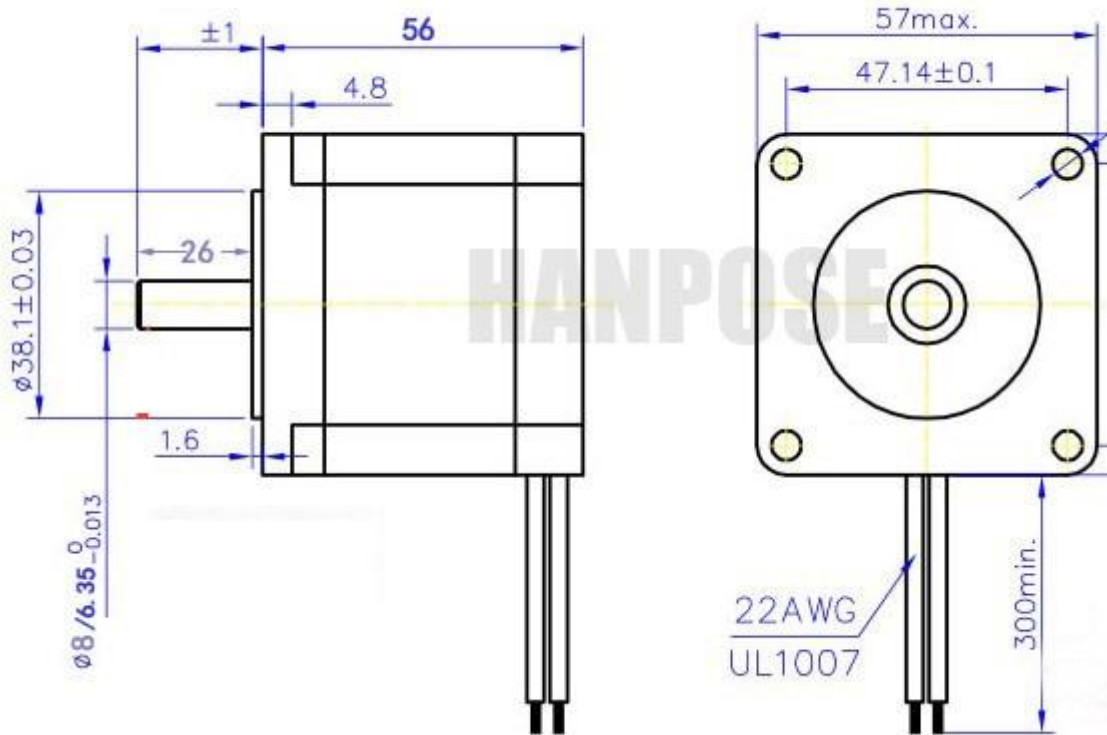
Insulation resistance:100MΩ Min,500VDC

Insultion Strength-----500VAC for one minute

### 8mm diameter shaft

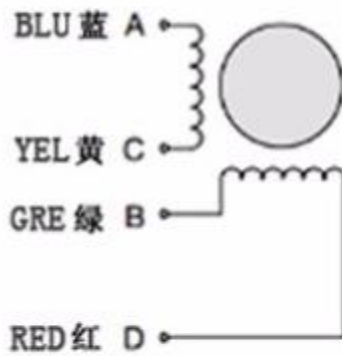
Model	Step	Motor	Rated	Rated	Phase	Phase	Holding
	Angle	Length	voltage	Current	Resistance	Inductance	Torque
	(deg)	(mm)	(V)	(A)	(Ohm)	(mH)	(Kg.cm)
23HS4128	1.8	41	2	2.8	0.7	1.4	5.5
23HS5128	1.8	51	2.3	2.8	0.83	2.2	10.1
<b>23HS5628</b>	<b>1.8</b>	<b>56</b>	<b>2.5</b>	<b>2.8</b>	<b>0.9</b>	<b>2.5</b>	<b>12.6</b>
23HS7628	1.8	76	3.2	2.8	1.13	3.6	18.9
23HS8240	1.8	82	2.8	4	0.7	1.5	18
23HS11528	1.8	115	5.88	2.8	2.1	10	30

Red: A+
Green: A-
Yellow: B+
Blue: B-



#### 4 Pin cables (bipolar)

Wiring diagram



Wiring sequence

