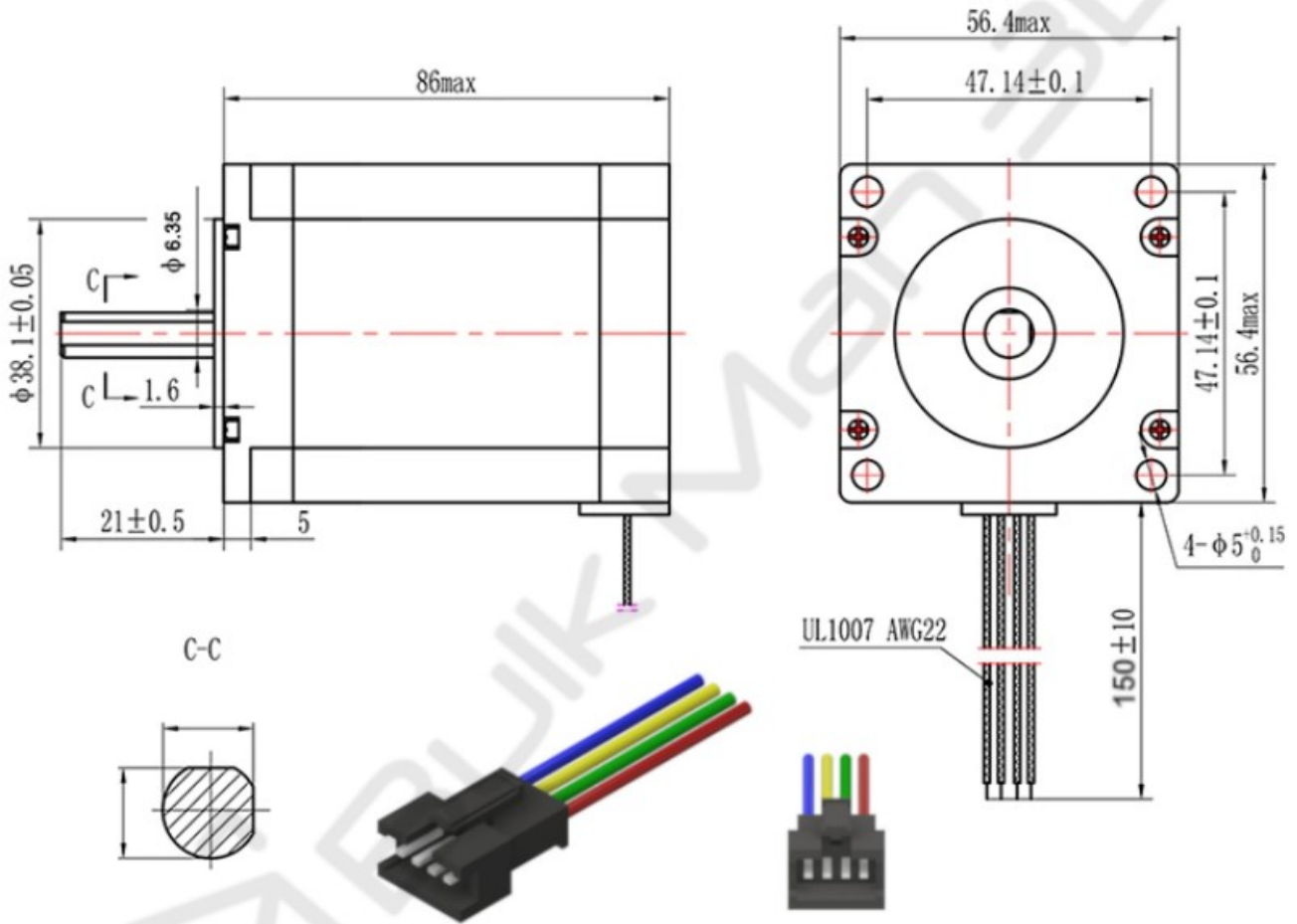




Bulk Man 3D

23HD86001Y-21B



General specification		Electrical specification		Wiring diagram
Step angle	1.8° ±5%	Rated voltage	3.6V	
Number of phase	2	Rated current	3A	
Insulation resistane	100MΩ min. (500V DC)	Resistance per phase	1.2Ω ±10%	
Insulation class	Class B	Inductance per phase	4mH ±20%	
Rotor inertia	600g.cm ²	Holding torque	2.45N.m	
Mass	1.2kg	Detent torque	90mN.m	